

Secure Safe Professional S2

for protection of documents, cash and valuables

Looking for a European certified safe for storing documents together with cash and valuables in a secure way? Look no further.

The Secure Safe Professional is designed to protect any valuable goods against burglary. Furthermore the Professional S2 range is provided with insulation material which offers fire protection. Items recommended for storage include cash, jewellery, passports, contracts, photographs, and digital cameras to name a few. For at home or in any business environment, the Secure Safe Professional S2 range offers a high security and is tested and certified to ECB•S (European Certification Board•Security Systems).



Models

The Secure Safe Professional S2 is available in five models, all designed to hold cash and valuables and to store documents.

Construction

The Professional S2 range has a double wall construction, 3 mm external and 2 mm internal and an 8 mm solid steel door. Increased security is achieved by manganese steel plates which protect the lock, bolt-work and bolts against drilling. The durable bolt-work has 2 or 4 bolts, which are chrome plated and have a diameter of 25 mm.

Locking

The safes are offered with a Mauer President double bitted key lock or Mauer Code Combi K electronic PIN-code lock (both Class A, EN 1300 / ECB•S approved).

Certification

The Secure Safe Professional S2 is tested and certified to Security Class S2 (EN 14450 / ECB•S). Filled with insulation material the Professional S2 range offers in addition fire protection in accordance with DIN 4102.

Additional features

The safes can be fixed to the floor or wall using the included fixing kit. In addition the safes are supplied with a removable shelf as standard (except model 18).

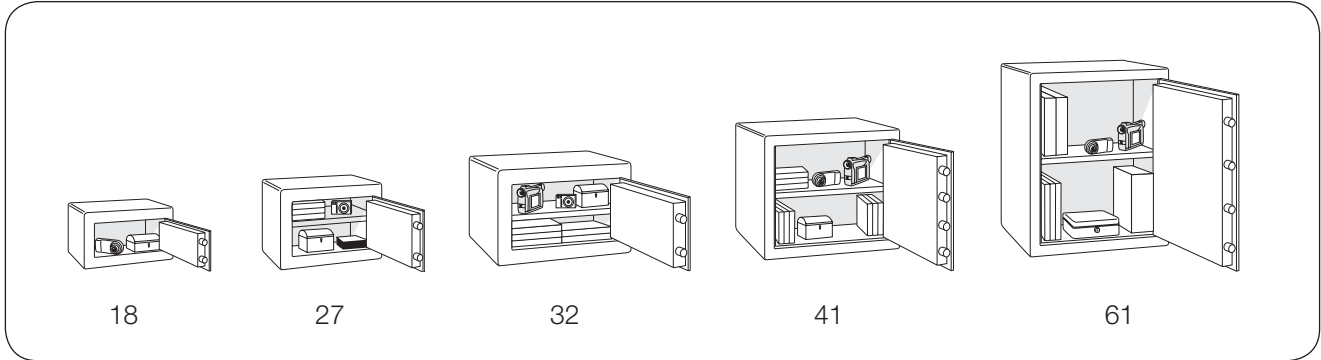
Design

The Professional range has modern styling and will complement any user environment. The safes are in two-tone colour powder coated finish; light grey and dark grey. The electronic lock is supplied in black.



Secure Safe Professional S2

Models



SLGB.1017.R2

Product data

Key lock

Model	Article No.	External dimensions (mm)			Internal dimensions (mm)			Volume (litres)	Weight (kg)	Shelf (qty)	Bolts (qty)
		Height	Width	Depth	Height	Width	Depth				
PS2-18K	SL03400	180	310	205	100	230	110	3	16	-	2
PS2-27K	SL03401	270	350	345	190	270	240	13	34	1	2
PS2-32K	SL03402	320	440	395	240	360	290	26	48	1	2
PS2-41K	SL03404	410	460	395	330	380	290	37	58	1	4
PS2-61K	SL03405	610	460	395	530	380	290	60	77	1	4

Electronic lock

Model	Article No.	External dimensions (mm)			Internal dimensions (mm)			Volume (litres)	Weight (kg)	Shelf (qty)	Bolts (qty)
		Height	Width	Depth	Height	Width	Depth				
PS2-27E	SL03407	270	350	345	190	270	240	13	34	1	2
PS2-32E	SL03408	320	440	395	240	360	290	26	48	1	2
PS2-41E	SL03410	410	460	395	330	380	290	37	58	1	4
PS2-61E	SL03411	610	460	395	530	380	290	60	77	1	4

SecureLine policy is one of constant improvement. The above specification may therefore be altered without prior notification.

www.Secure-Line.net

Authorised dealer:

